

Switch 2 positions

3/2

Ordering code

5/2

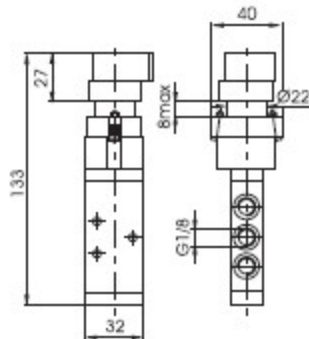
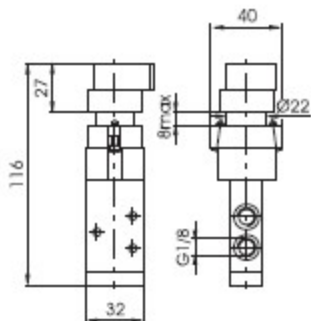
Switch 2 positions

228.T.6.27

TYPE

T 32 = 3 ways

52 = 5 ways



Weight gr. 230

Weight gr. 250

Operational characteristics

Operational characteristics	Fluid	Max working pressure	Operating Temperature		Flow rate at 6 bar with $\Delta p=1$	Orifice size	Working port size
	Filtered and lubricated air	10 bar	Min. -5°C	Max. +70°C	540 NI/min	mm 6	G 1/8"